

# ESCO® Rock Dredge Cutterheads

With GeoVor® Tooth System



ESCO

ESCO rock dredge cutterheads featuring the GeoVor tooth system are designed to dredge the toughest, hardest materials. They have high-performance features to ensure maximum productivity with minimum downtime, including ESCO's unique GeoVor system, one of the strongest systems available.

ESCO rock cutterheads are custom designed and manufactured to meet each specific customer requirement and offer the following advantages:

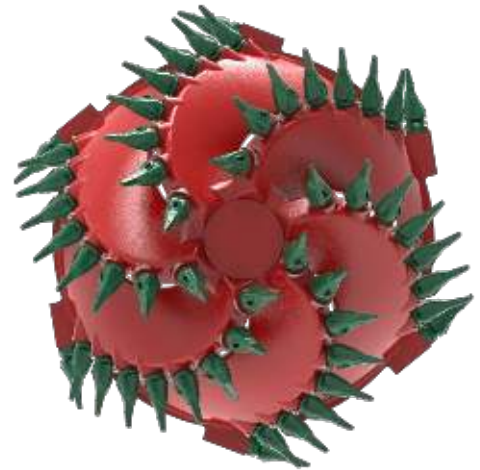
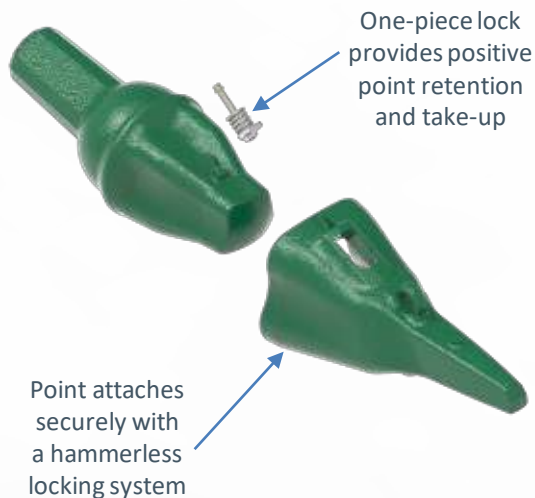
- Hub-mounted teeth which assist cutter suction dredges with hydraulically-advanced spuds to step forward
- Optional ring-mounted teeth to provide extra wear protection
- The arm openings are designed with controlled clearance, subject to customer requirements
- Tooth roll angle is set specifically for pick point usage
- Tooth angle of attack is set to deliver maximum dredging performance in hard rock

ESCO has the experience and skills needed to develop solutions for the most demanding dredging applications.

For complete information about the ESCO dredge cutterheads, contact your ESCO representative.

For detailed information about the full line of ESCO dredge replacement parts, refer to the back page.

## Unique ESCO GeoVor point and adapter system



ESCO engineers use advanced computer design systems to model rock dredge cutterheads and analyze angles for maximum performance.



Rock Cutter Power Range		
CUTTERHEAD SIZE	kW	HP
2G	375-670	500-900
3G	670-1345	900-1800
4G	1345-2100	1800-2800
5G	2100-3360	2800-4500
6G	3360-4475	4500-6000
7G	4475-5220	6000-7000
8G	5220-6000	7000-8000
9G	6000-9000+	8000-12000+

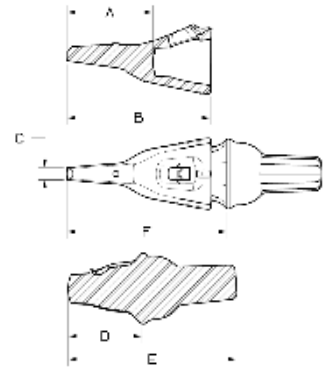
# ESCO® Rock Dredge Cutterheads with GeoVor® System

Specifications for the GeoVor® System for Rock Cutterheads																
PMID	TYPE	A		B		C		D		E		F*		WEIGHT		
		mm	in	mm	in	mm	in	mm	in	mm	in	mm	in	kg	lb	
2G SERIES	<b>Points</b>															
	2GP2	Pick	172	6.77	24	0.95	22	0.85							6	13
	<b>Adapters</b>															
	WN2G	Weld-On							126	4.96	191	7.51	298	11.73	10	22
<b>Pin</b>																
	234GL													0.1	0.2	
3G SERIES	<b>Points</b>															
	3GP2	Pick	226	8.89	340	13.40	24	0.96							8.8	19
	<b>Adapters</b>															
	490D3G	Spherilok							152	5.98	318	12.52	378	14.87	16	36
WN3G	Weld-On							152	5.98	217	8.53	378	14.87	14	30	
<b>Pin</b>																
	234GL													0.1	0.2	
4G SERIES	<b>Points</b>															
	4GP2	Pick	226	8.89	369	14.55	27	1.08							12	26
	<b>Adapters</b>															
	580D4G	Spherilok							175	6.89	396	15.58	401	15.78	27	60
WN4G	Weld-On							175	6.89	239	9.39	401	15.78	20	44	
<b>Pin</b>																
	234GL													0.1	0.2	
5G SERIES	<b>Points</b>															
	5GP2	Pick	245	9.66	404	15.91	34	1.32							19	43
	5GP1	Pick	245	9.66	404	15.91	27	1.08							18	40
	5GC2	Chisel														
<b>Adapters</b>																
642D5G	Spherilok							190	7.47	439	17.27	435	17.13	38	83	
WN5G	Weld-On							190	7.47	263	10.35	435	17.13	27	60	
<b>Pin</b>																
	5678GL													0.2	0.5	
6G SERIES	<b>Points</b>															
	6GP2	Pick	246	9.68	413	16.26	34	1.35							24	53
	6GP1	Pick	246	9.68	413	16.26	34	1.32								
	6GC2	Chisel	278	10.95	442	17.42	70	2.76							25	55
6GCF2	Chisel / Flare	278	10.95	442	17.42	120	4.72							27	61	
<b>Adapters</b>																
703D6G	Spherilok							211	8.31	479	18.87	457	17.99	50	110	
WN6G	Weld-On							211	8.31	294	11.56	457	17.99	39	87	
<b>Pin</b>																
	5678GL													0.2	0.5	
7G SERIES	<b>Points</b>															
	7GP3	Pick	299	11.78	473	18.64	37	1.44							27	60
	7GP2	Pick	269	10.60	441	17.35	37	1.44							28	62
	7GC2	Chisel	297	11.70	469	18.45	70	2.76							29	64
<b>Adapters</b>																
703D7G	Spherilok							213	8.73	483	19.00	482	19.33	54	119	
WN7G	Weld-On							213	8.73	295	11.60	510	20.43	42	92	
<b>Pin</b>																
	5678GL													0.2	0.5	
8G SERIES	<b>Points</b>															
	8GP3	Pick	363	14.30	556	21.87	38	1.48							40	88
	8GP2	Pick	302	11.89	494	19.46	38	1.48							37	81
	<b>Adapters</b>															
787D8G	Spherilok							245	20.37	518	20.37	547	32.26	72	159	
<b>Pin</b>																
	5678GL													0.2	0.5	
9G SERIES	<b>Points</b>															
	9GP1	Pick	270	10.65	504	19.86	49	1.91					568	22.37	46	101
	9GP2	Pick	352	13.87	586	23.07	51	2.01					650	25.60	51	113
	<b>Adapters</b>															
643D9G	Spherilok							298	11.74	554	21.82			86	189	
<b>Pin</b>																
	9GL													0.3	0.7	

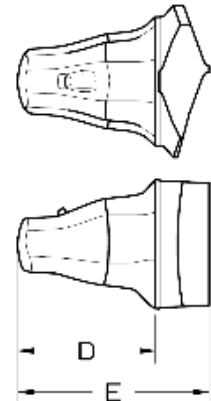
\*Dimension F is comprised of P2 type Pick Points and Nose Length D

**Note:** Custom points and adapters may be developed to facilitate customer projects.

## GeoVor assembly components



## GeoVor weld-on nose



Weir ESCO

www.esco.weir